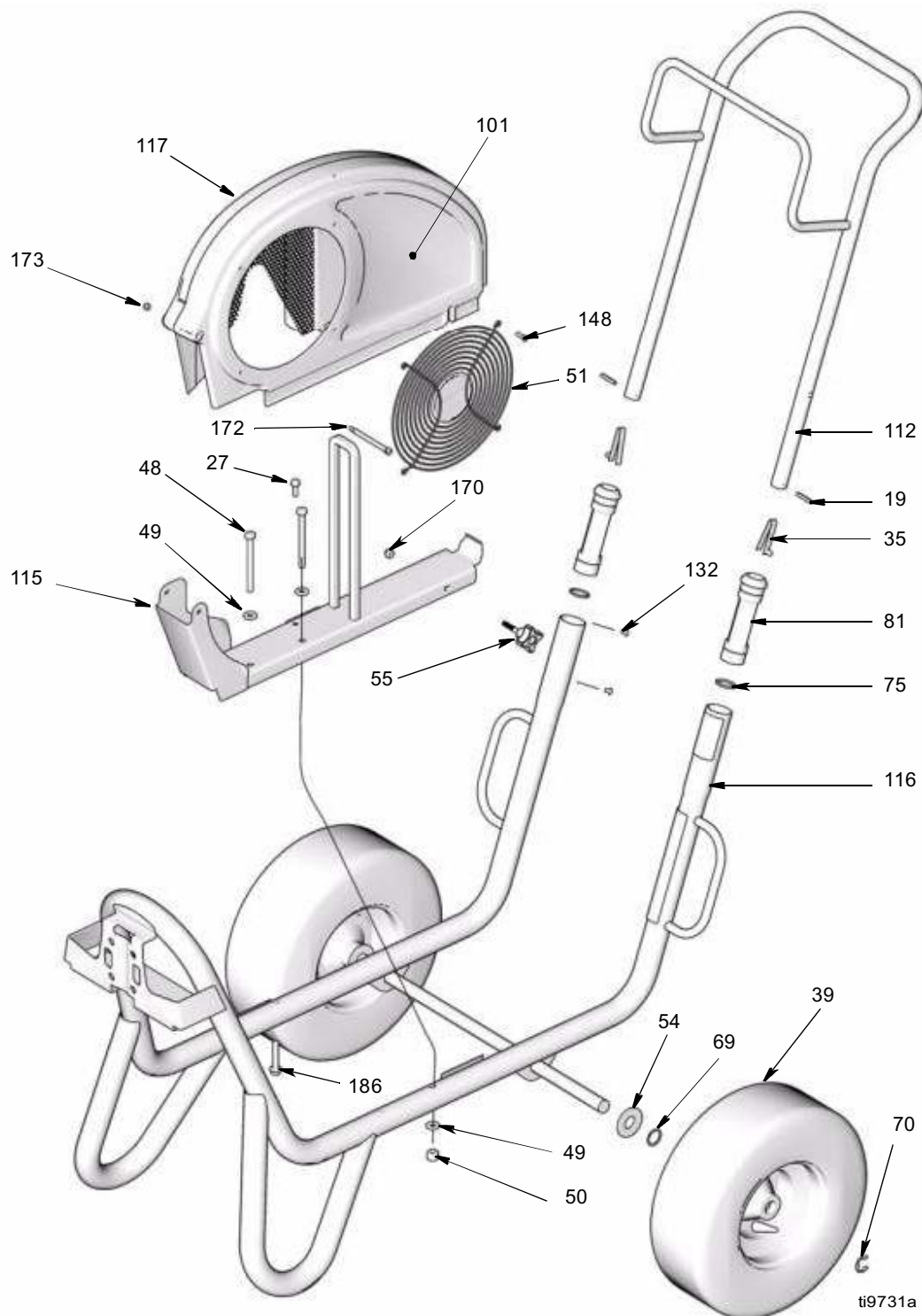


Reservdelar

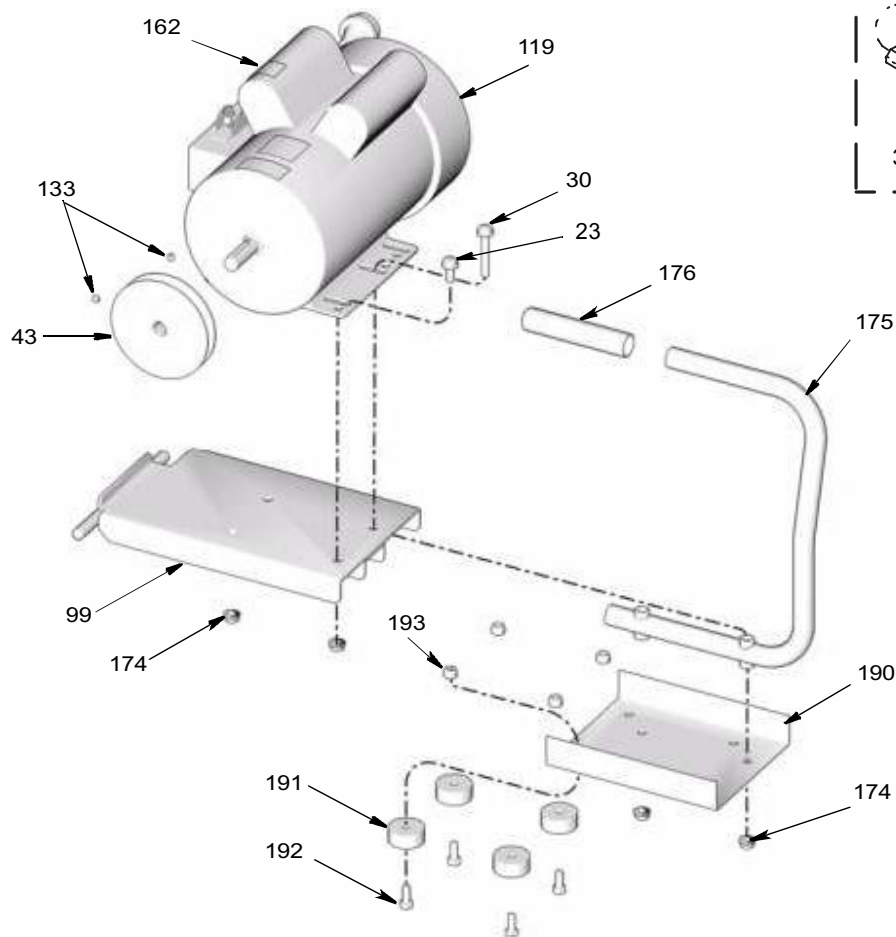
Sprängskiss – chassi och remskydd



Reservdelslista – chassi och remskydd

Ref	Part	Description	Qty	Ref	Part	Description	Qty
19	101354	PIN, spring, straight	2	112	248818	HANDLE, cart	1
27	260212	SCREW, hex washer hd, thd form	1	115	288261	RAIL, belt guard, assy	1
35	112827	BUTTON, snap	2	116	288111	FRAME, cart, weldment, EH200	1
39	119509	WHEEL, pneumatic	2	117	288734	GUARD, belt assembly, painted	1
48	803298	SCREW, cap, hex hd	2	132	109032	SCREW, mach, pnh	4
49	100527	WASHER, plain	4	148	115477	SCREW, mach, torx pan hd	4
50	110838	NUT, lock	2	170	102040	NUT, LOCK, HEX	1
51	117284	GRILL, fan guard	1	172	119434	SCREW, shoulder, socket head	1
54	156306	WASHER, flat	2	173	116969	NUT, lock	1
55	15D862	NUT, hand	1	186	120655	SCREW, flat head	2
69	116038	WASHER, wave spring	2				
70	120211	RING, retaining, e-ring	2				
75	15J645	WASHER	2				
81	192027	SLEEVE, cart	2				
101	15K872	LABEL	1				

Sprängskiss – elmotor



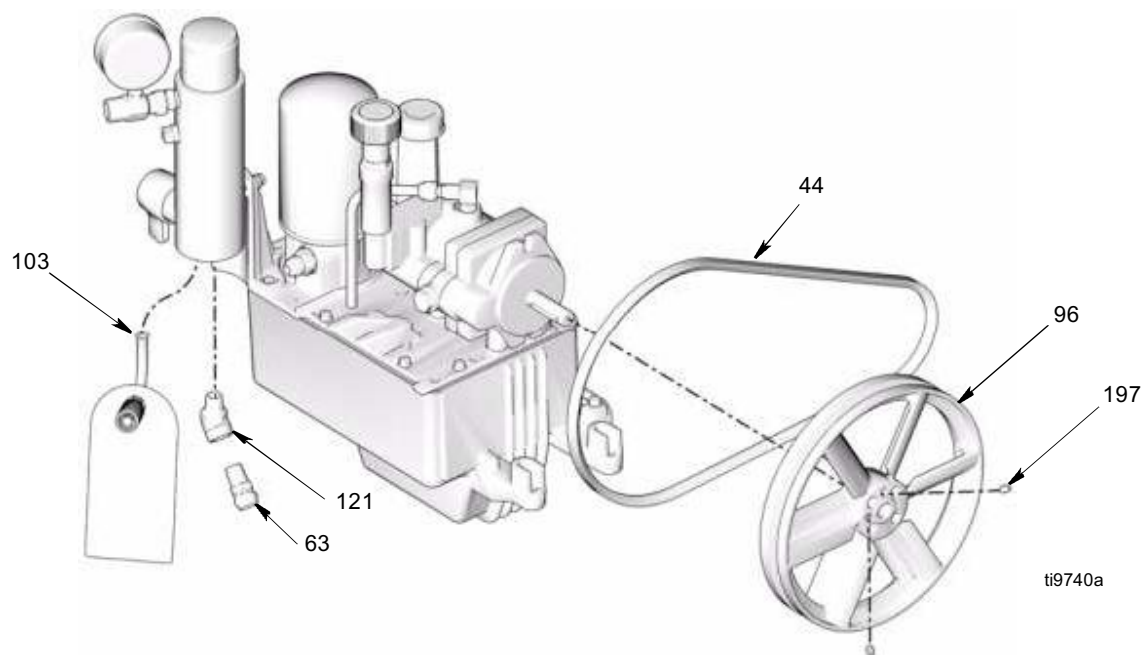
ti9739a

Reservdelsslista – elmotor

Ref	Part	Description	Qty	Ref	Part	Description	Qty
23	110963	SCREW, cap, flange head	2	193	111040	NUT, lock, insert, nylock, 5/16	4
30	114653	SCREW, cap, flange head	2	301	197186	PLUG, Italian, rewirable	1
43	15E588	PULLEY	1	302	197187	PLUG, IEC 309, 16/20A, 3-pin	1
99	15E585	BRACKET, mounting, elec. motor	1	303	197188	PLUG, Australian, rewirable	1
119	15E669	MOTOR, electric, 3 hp, 230 Vac	1				
133	100002	SCREW, set, sch	2				
162▲	187975	LABEL, warning	1				
174	110996	NUT, hex, flange head	4				
175	246214	HANDLE, conversion	1				
176	111700	GRIP, handle	1				
190	15F217	PLATE, isolator, bottom	1				
191	113817	BUMPER	4				
192	100057	SCREW, cap, hex hd	4				

▲ Etiketter med varningssymboler och säkerhetsföreskrifter kan beställas kostnadsfritt.
Reservdelssats 287744 till brytare finns att beställa
Reservdelssats 287746 till kondensator finns att beställa

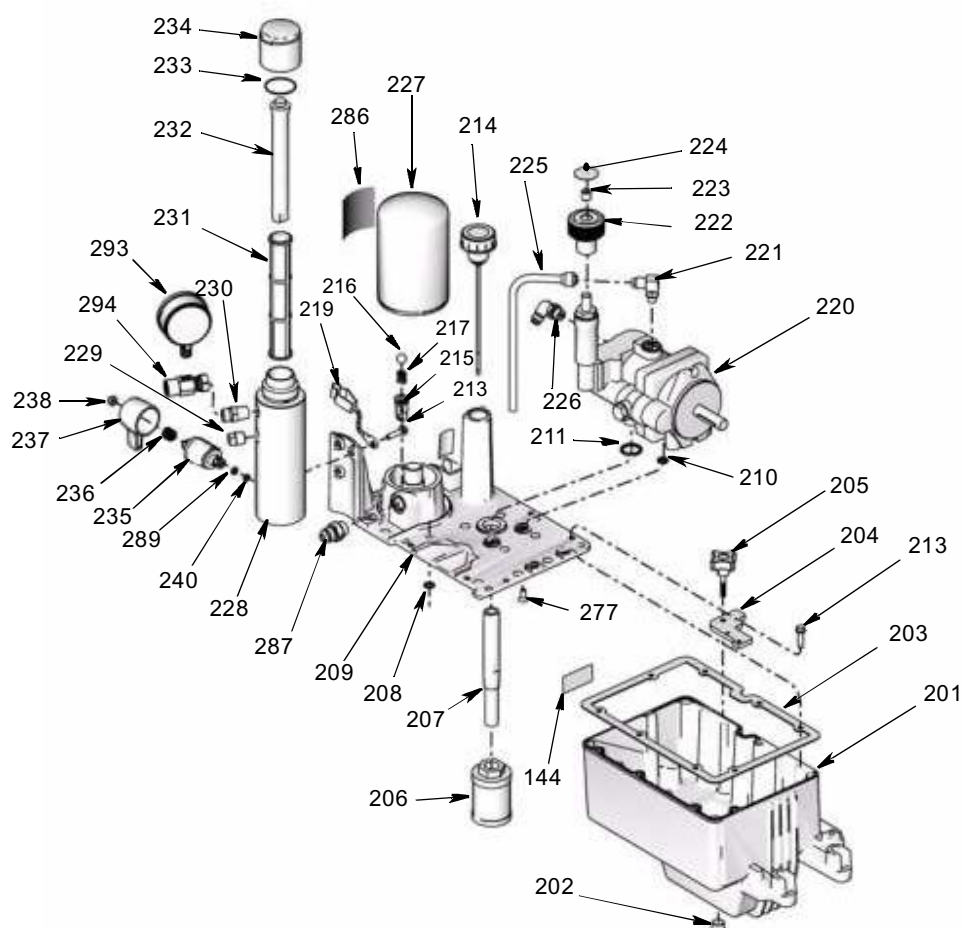
Sprängskiss – tank



Reservdelista – tank

Ref	Part	Description	Qty
44	119433	BELT, V, gripnotch, ax41 in.	1
63	243814	HOSE, coupled	1
96	15E410	PULLEY, fan	1
103	287668	HOSE, kit	1
121	116756	FITTING	1
197	120087	SCREW, set, 1/4 X 1/2	2

Sprängskiss och reservdelslista – tank och filter

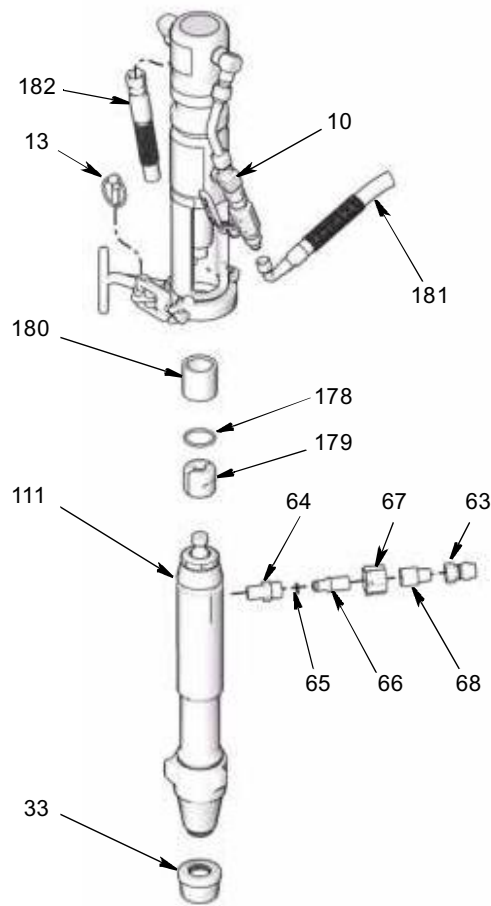


ti9733a

Reservdelslista – tank och filter

Ref	Part	Description	Qty	Ref	Part	Description	Qty
201	15J513	TANK, reservoir, blue	1	225	198699	TUBE, hydraulic, case drain	1
202	101754	PLUG, pipe	1	226	120634	FITTING, elbow, hydraulicw/o-rings	1
203	120604	GASKET, reservoir	1	227	246173	FILTER, oil, spin on	1
204	15E476	BRACKET, retainer, motor	1	228	15E599	HOUSING	1
205	15D862	NUT, hand	1	229	100040	PLUG, pipe	1
206	116919	FILTER	1	230†	162485	ADAPTER, nipple	1
207	15E587	TUBE, suction	1	231	244067	FILTER, fluid	1
208	154594	O-RING	1	232	15C766	TUBE, diffusion	1
209	15M056	COVER, reservoir, EH200	1	233	117285	O-RING	1
210	107188	O-RING	4	234	287285	CAP, filter	1
211	156401	O-RING	1	235	245103	VALVE, drain, kit	1
213	119426	SCREW, mach, hex washer hd	11	236*	114708	SPRING, compression	1
214	120726	CAP, breather, filler	1	237*	15G563	HANDLE, valve	1
215	198841	RETAINER, ball, pressure bypass	1	238*	116424	NUT, cap	1
216	100084	BALL, metallic	1	240*	193710	SEAL, seat, valve	1
217	116967	SPRING, compression	1	277	117471	SCREW, mach, hex flat head	4
219	237686	WIRE, ground assembly w/ clamp	1	286	189892	LABEL, identification	1
220	246178	PUMP	1	287	120184	FITTING, hydraulic	1
221	110792	FITTING, elbow, male, 90 deg	1	289*	193709	SEAT, valve	1
222	15B438	KNOB, pressure	1	293†	102814	GAUGE	1
223	117560	SCREW, set, socket head	1	294†	243683	UNION, swivel	1
224	15A464	LABEL, control	1	†		Ingår i manometersats 241339	
				*		Ingår i dräneringskransats 245103	

Sprängskiss – kolvump med fästdetaljer

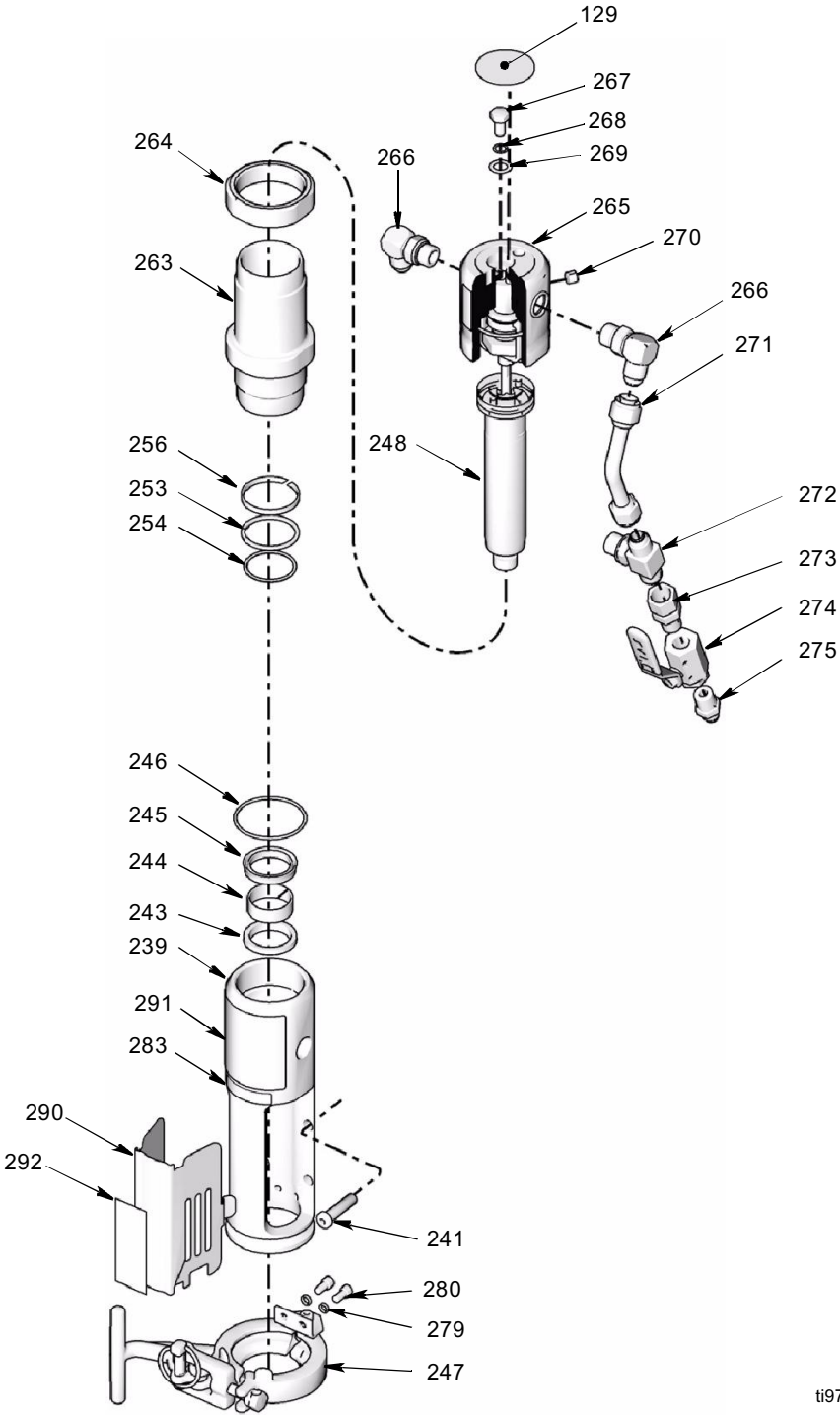


t19738a

Reservdelslista – kolvump med fästdetaljer

Ref	Part	Description	Qty	Ref	Part	Description	Qty
10	288759	KIT, hydraulic motor	1	68	150286	ADAPTER	1
13	288741	PIN, lynch	1	111	288819	PUMP, displacement	1
33	189920	STRAINER, (1-11 1/2 npsm)	1	178	156698	O-RING	1
63	243814	HOSE, coupled	1	179	277377	COUPLER	2
64	15J413	FITTING, pump, QD	1	180	15H957	COVER, coupler	1
65	107505	O-RING	1	181	15K641	HOSE, supply	1
66	15J410	FITTING, QD	1	182	15K642	HOSE, return	1
67	120583	NUT, hand	1				

Sprängskiss – hydraulmotor



ti9736a

Reservdelslista

Ref	Part	Description	Qty	Ref	Part	Description	Qty
129◆✓	15B063	LABEL	1	273◆	117328	NIPPLE, straight	1
239	15J278	MANIFOLD, adapter	1	274	117441	VALVE, ball	1
241	107210	SCREW	4	275	116813	NIPPLE, hydraulic	1
243◆†	117739	WIPER, ROD	1	279	105510	WASHER, lock, spring (hi-collar)	2
244◆†	112342	BEARING, rod	1	280	101550	SCREW, cap, sch	2
245◆†	112561	BLOCK, packing	1	283▲	192840	LABEL, warning	1
246◆†	117283	O-RING	1	290	15J503	SHIELD	1
247	288344	CLAMP, pump	1	291	15K438	LABEL	1
248◆✓		ROD, displacement	1	292	15F584	LABEL	1
253◆†✓	108014	O-RING	1				
254◆†✓	178226	SEAL, piston	1	▲	Etiketter med varningssymboler och säkerhetsföreskrifter kan beställas kostnadsfritt.		
256◆†✓	178207	BEARING, piston	1	◆	Ingår i reservdelssats 288759 till hydraulmotor		
263◆	246176	SLEEVE, hydraulic cylinder	1	✓	Ingår i reservdelssats 288736 till växelsång/kolv		
264◆	15A726	NUT, jam	1	†	Ingår i tätningssats 246174		
265◆✓		CAP, head	1				
266◆	117607	ELBOW std thd	2				
267◆✓		SCREW, cap, hex head	1				
268◆✓		O-RING	1				
269◆✓		WASHER, sealing	1				
270◆†✓	100139	PLUG, pipe	1				
271◆	198629	TUBE, hydraulic, supply	1				
272◆	117609	TEE, branch, str thd	1				